

PRODUCT INFORMATION 08-2023

# SOMA

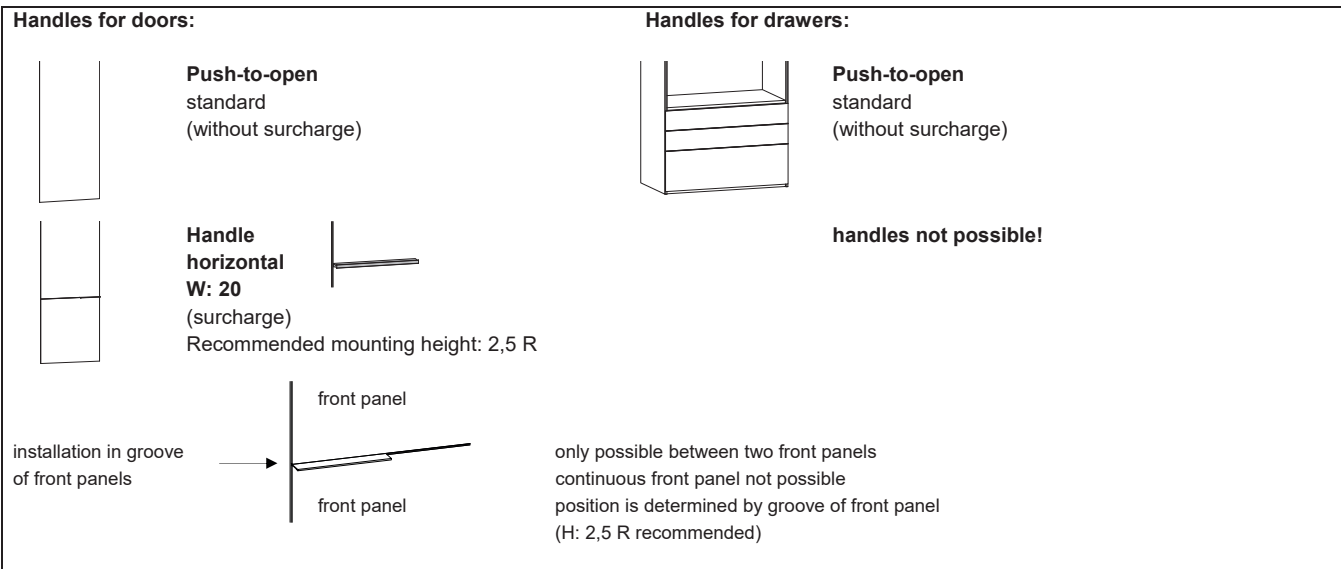
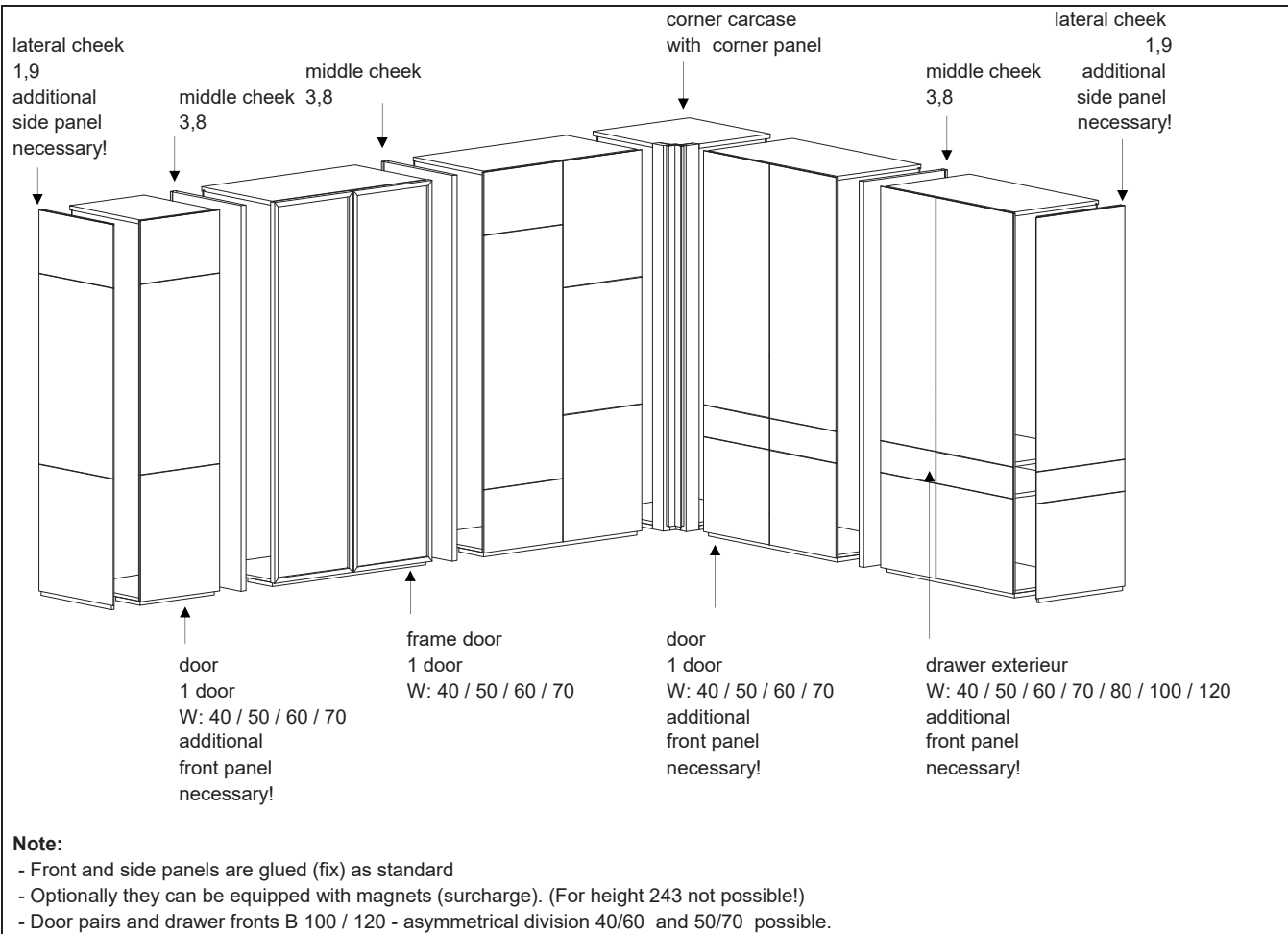
SLEEPING

---

Kettner

**WARDROBE WITH FRONT**

carcase modules dimensions in cm  
 W: 40 / 50 / 60 / 70 / 80 / 100 / 120  
 H: 196 / 215 / 234 / 243 / 253 / 272  
 total depth incl. front: 67  
 Effective depth: Shelf 54 / Clothes bar 60

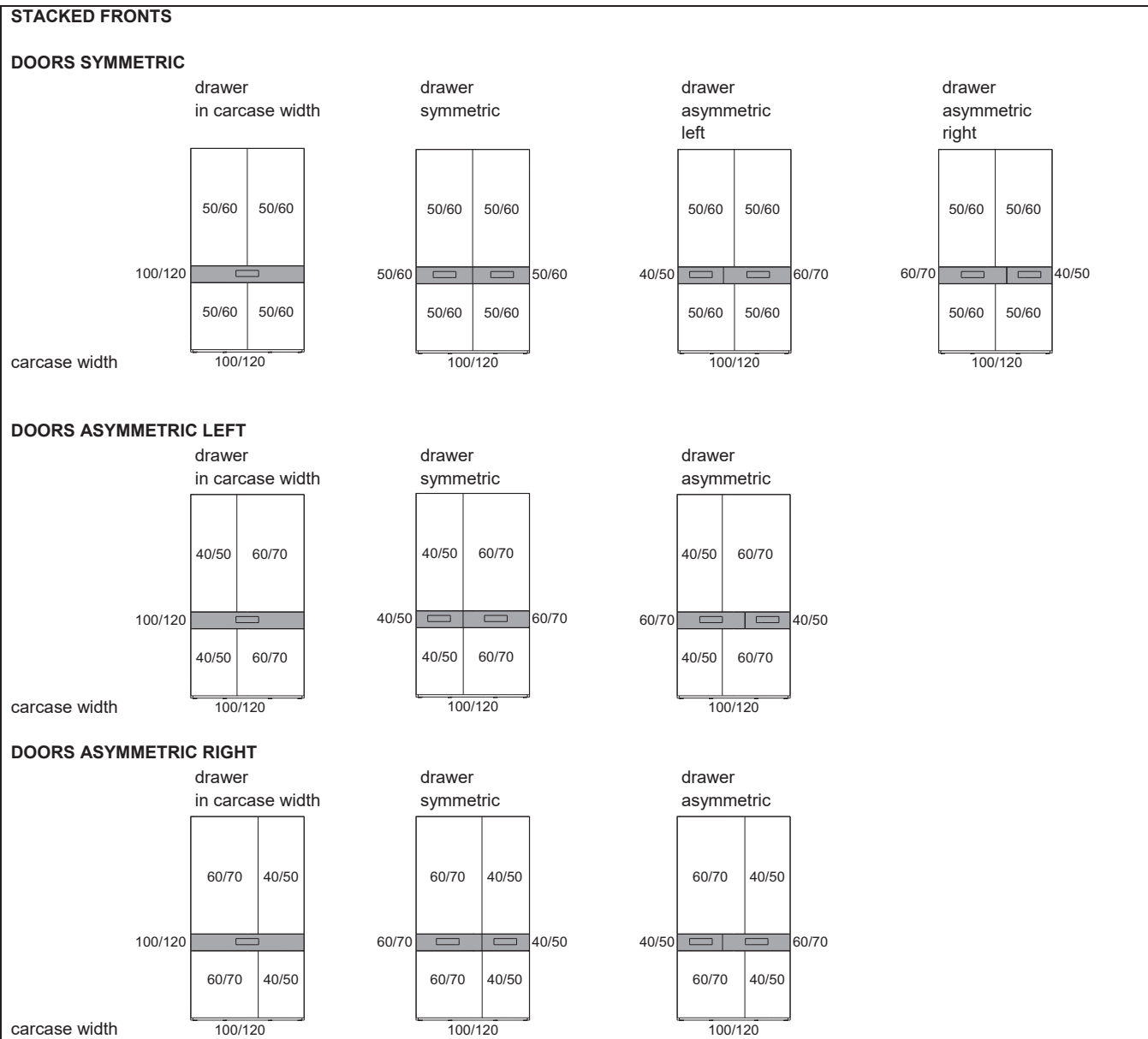
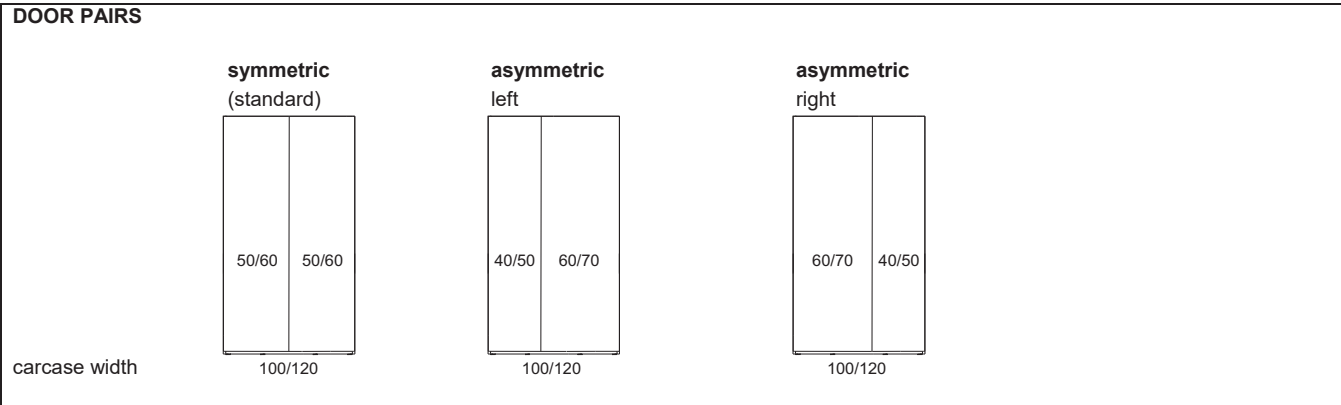


**PLANNING INFORMATION:**

- Required height for installation of wardrobe is carcase height + min. 3,0 cm.
- Required width: + 4,0 cm.
- Raster drilling in standard 9,6 cm, optional 3,2 cm possible.
- Shortening in W/D/H possible! See special design.

**WARDROBE WITH ASYMMETRIC FRONT DIVISION**

possible for carcass modules:  
 W: 100 / 120  
 H: 195 / 214 / 233 / 243 / 253 / 272



**PLANNING INFORMATION:**


- asymmetric front division for doors and drawers - without surcharge!

**STACKED FRONTS:**


- intermediary shelf between stacked fronts for constructive reasons.
- middle cheek between two drawers for constructive reasons.

**NIGHT STANDS**  
 in roomdivider finish  
 mitre joint carcass, front edge beveled to the back  
 W: 40/50/60  
 D: 35

**H: 19,2**

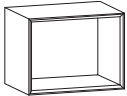


open

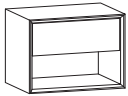


1 drawer

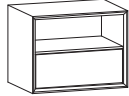
**H: 38,4**



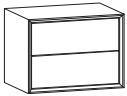
open



1 drawer top

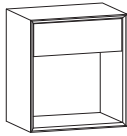


1 drawer bottom




2 drawers

**H: 57,6**



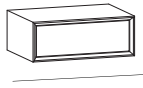


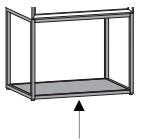


1 drawer top



2 drawers bottom

**FEET**

<p><b>FOOT ROUND (standard)</b>                  black                  H: 2,0</p> 	<p><b>FOOT ANGLE</b>                  H: 13,6 / 19,0</p> 	<p><b>WALL-MOUNTED</b></p> 
<p><b>BASE FRAME</b>                  H: 19,9</p> 	<p><b>BASE FRAME</b>                  H: 39,1</p> 	<p><b>BASE FRAME</b>                  optionally with bottom shelf</p> 

**PLANNING INFORMATION:**

Development and design  
Kettmaker-Team  
All models and names registered.  
All rights by Wolfgang Kettmaker.  
Kettmaker reserves the right to make  
subsequent changes, in particular if they  
serve the progress or mean an improvement.  
Errors excepted.  
Date 31.05.2023

Kettmaker GmbH & Co. KG  
Manufaktur für Möbel  
Bussenstraße 30  
88525 Dürmentingen  
Deutschland

Tel. +49 (0) 7371 95 93-0  
Fax +49 (0) 7371 95 93-20  
[www.kettmaker.com](http://www.kettmaker.com)  
[info@kettmaker.com](mailto:info@kettmaker.com)