

PRODUCT INFORMATION 08-2023

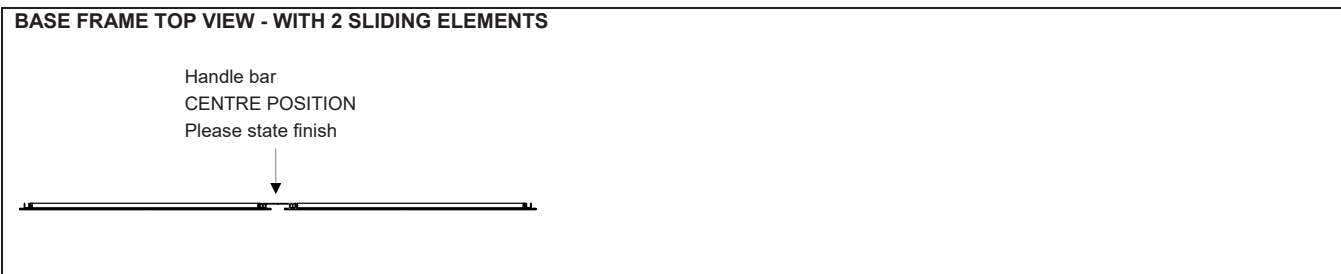
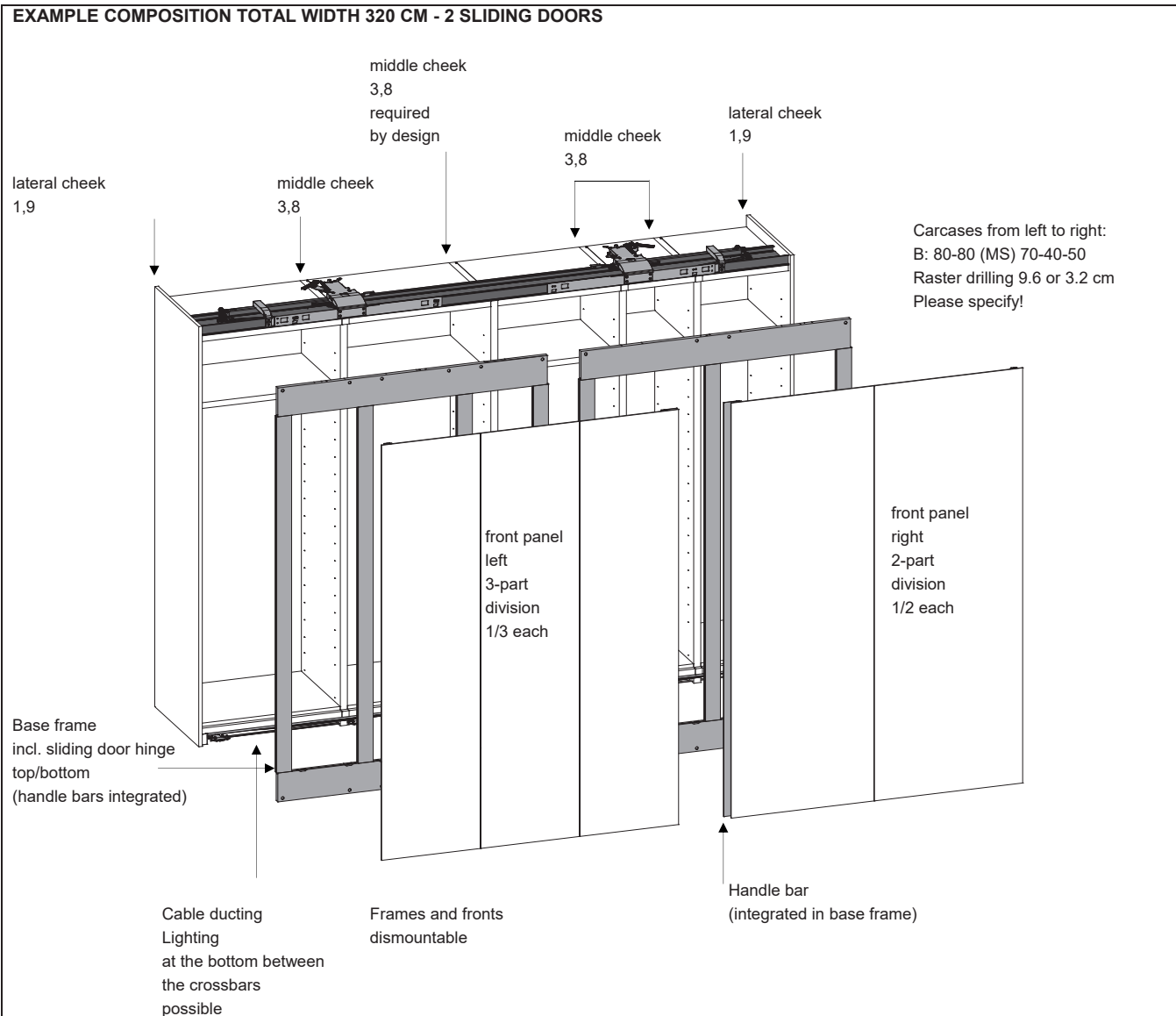
# FLAT

SLEEPING

---

Kettner

<b>WARDROBE WITH PLANFRONT SLIDING DOORS</b>	
carcase modules W: 40 / 50 / 60 / 70 / 80 / 100 / 120 H: 195 / 214 / 233 / 243 / 253 / 272 total depth incl. front: 67,0 Effective depth: Shelf 54.0 / Clothes bar 61.4	Possible cabinet widths W: 160 / 180 / 200 / 240 / 280 / 300 / 320 / 360 / 400  Dimensions in cm



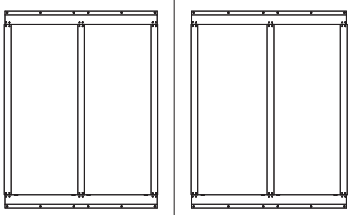
- PLANNING INFORMATION:**
- required height for installation +6,0 cm
  - required width for installation: +4,0 cm
  - lining left/right possible; not possible at top!
  - Wall mounting (anti-tilt) backside left and right through rear wall required. Fitting included.
  - room divider not possible!
  - Shortening in T/H possible! See special requests.

# FLAT

# CABINET SYSTEM

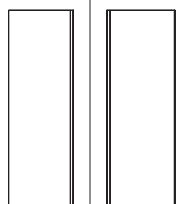
FRONT PANEL ARRANGEMENT  Dimensions in cm	BASE FRAME			FRONT PANELS					
	Wardrobe Total width	left sliding door	right sliding door	LEFT			RIGHT		
				1-PART	2-PARTS	3-PARTS	1-PART	2-PARTS	3-PARTS

**BASE FRAME**  
incl. sliding door fittings



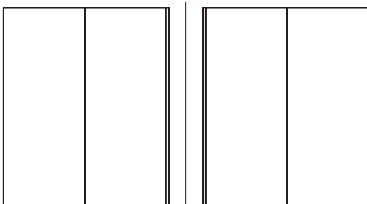
160	80	80							
180	90	90							
200	100	100							
240	120	120							
280	140	140							
300	150	150							
320	160	160							
360	180	180							
400	200	200							

**1-PART**



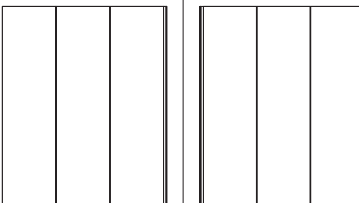
160	80	80		80			80		
180	90	90		90			90		
200	100	100		100			100		
240	120	120		120			120		

**2-PARTS**



200	100	100			2x 50			2x 50	
240	120	120			2x 60			2x 60	
280	140	140			2x 70			2x 70	
300	150	150			2x 75			2x 75	
320	160	160			2x 80			2x 80	
360	180	180			2x 90			2x 90	
400	200	200			2x100			2x100	

**3-PARTS**




300	150	150				3x 50			3x 50
320	160	160				3x 60*			3x 60*
360	180	180				3x 60			3x 60
400	200	200				3x 70*			3x 70*


**PLANNING INFORMATION:**  
 - Front panels 3-parts in widths 320 and 400:  
 \* Front panels in the next larger width dimension are required. These are shortened accordingly.

**NIGHT STANDS**  
 in roomdivider finish  
 mitre joint carcass, front edge beveled to the back  
 W: 40/50/60  
 D: 35

**H: 19,2**

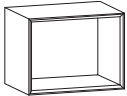


open

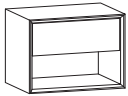


1 drawer

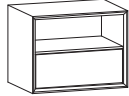
**H: 38,4**



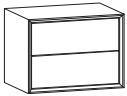
open



1 drawer top

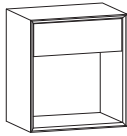


1 drawer bottom




2 drawers

**H: 57,6**



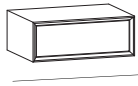


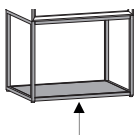


1 drawer top



2 drawers bottom

**FEET**

<p><b>FOOT ROUND (standard)</b>                  black                  H: 2,0</p> 	<p><b>FOOT ANGLE</b>                  H: 13,6 / 19,0</p> 	<p><b>WALL-MOUNTED</b></p> 
<p><b>BASE FRAME</b>                  H: 19,9</p> 	<p><b>BASE FRAME</b>                  H: 39,1</p> 	<p><b>BASE FRAME</b>                  optionally with bottom shelf</p> 

**PLANNING INFORMATION:**

Development and design  
Kettmaker-Team  
All models and names registered.  
All rights by Wolfgang Kettmaker.  
Kettmaker reserves the right to make  
subsequent changes, in particular if they  
serve the progress or mean an improvement.  
Errors excepted.  
Date 31.05.2023

Kettmaker GmbH & Co. KG  
Manufaktur für Möbel  
Bussenstraße 30  
88525 Dürmentingen  
Deutschland

Tel. +49 (0) 7371 95 93-0  
Fax +49 (0) 7371 95 93-20  
[www.kettmaker.com](http://www.kettmaker.com)  
[info@kettmaker.com](mailto:info@kettmaker.com)