

PRODUCT INFORMATION 08-2023

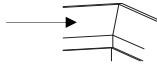
BED

B3

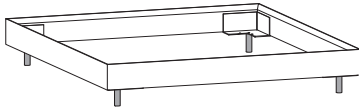
Kettner

BED FRAME

frame thickness 1,9 / 0,6 cm
 2 heights available
 The bed frame is beveled to the inside, mitre joint.
 for mattress size 100/120/140/160/180/200 x 200



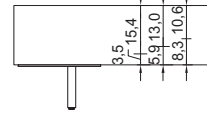
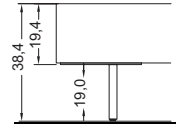
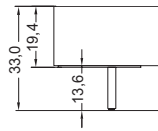
HEIGHT 19,4



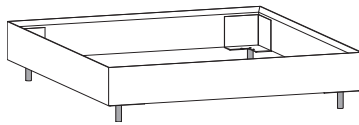
Total height with FOOT
 H:13

H:19

Insertion height for mattresses/
 Slat base adjustable
 3 heights possible



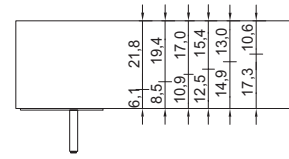
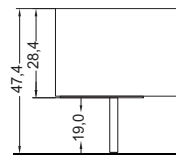
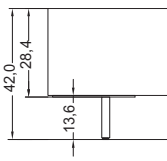
HEIGHT 28,4



Total height with FOOT
 H:13

H:19

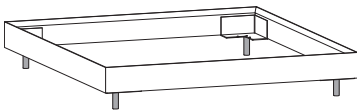
Insertion height for mattresses/
 Slat base adjustable
 6 heights possible



FEET

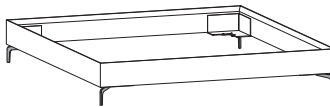
FOOT ROUND (standard)

black mat/chromed glossy
 H: 13,6 / 19,0 / D 4



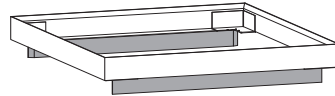
FOOT ANGLE

H: 13,6 / 19,0



PLINTH CHEEK

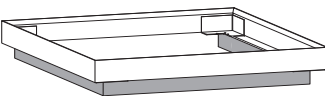
for head or foot part
 H: 13,6



PLINTH FRAME

3-sides

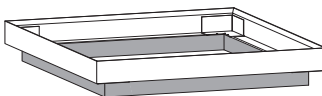
H: 13,6



PLINTH FRAME

4-sides

H: 13,6



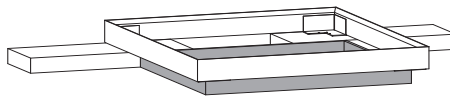
Suitable for motor-driven mattress
 from Schramm. Others upon request.

PLINTH FRAME

for combination with lowboard
 (shortened in depth)

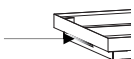
4-sides

H: 13,6



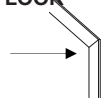
PLANNING INFORMATION:

- Plinth illumination optional. For installation on both sides of bed frame.

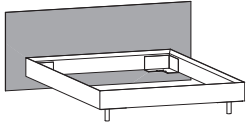


BED PANEL VERSIONS

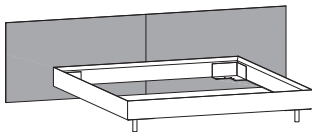
BED PANEL STRAIGHT STANDING ON FLOOR
 H: 80/100/119
 beveled to the back on three sides



Please always specify left AND right part!

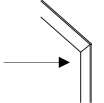


one-part
 roomdivider possible
 W: 145/165/185/205/225/245

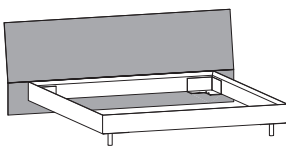


two-parts
 roomdivider not possible
 W: 130/140/150/160/170/180/190/200/210/220/230/240

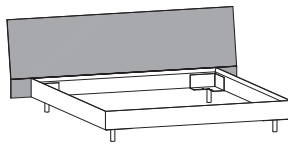
BED PANEL KINK-SHAPED
 H: 92/101
 beveled to the back on three sides



H: 78/87

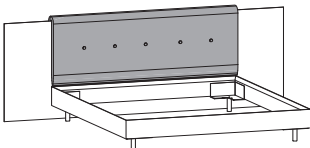


standing on floor
 roomdivider possible
 W: 145/165/185/205/225/245/265/285
 ONLY AVAILABLE WITH FOOT HEIGHT 13,6!



free at bottom
 roomdivider possible
 W: 145/165/185/205/225/245/265/285

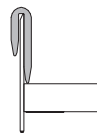
UPHOLSTERY
 optional for bed panel STRAIGHT or KINK-SHAPED



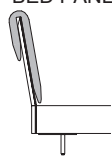
always in width of bed

SIDE VIEW:

BED PANEL STRAIGHT




BED PANEL KINK-SHAPED




PLANNING INFORMATION:
 - Bed panel STRAIGHT optionally with back side illumination LED Multiwhite.

NIGHT STANDS
 in roomdivider finish
 mitre joint carcass, front edge beveled to the back
 W: 40/50/60
 D: 35

H: 19,2

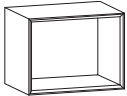


open

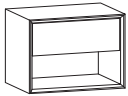


1 drawer

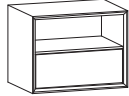
H: 38,4



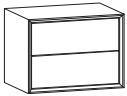
open



1 drawer top

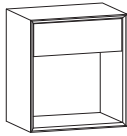


1 drawer bottom




2 drawers

H: 57,6



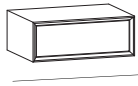


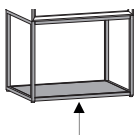


1 drawer top



2 drawers bottom

FEET

<p>FOOT ROUND (standard) black H: 2,0</p> 	<p>FOOT ANGLE H: 13,6 / 19,0</p> 	<p>WALL-MOUNTED</p> 
<p>BASE FRAME H: 19,9</p> 	<p>BASE FRAME H: 39,1</p> 	<p>BASE FRAME optionally with bottom shelf</p> 

PLANNING INFORMATION:

Development and design
Kettmaker-Team
All models and names registered.
All rights by Wolfgang Kettmaker.
Kettmaker reserves the right to make
subsequent changes, in particular if they
serve the progress or mean an improvement.
Errors excepted.
Date 31.05.2023

Kettmaker GmbH & Co. KG
Manufaktur für Möbel
Bussenstraße 30
88525 Dürmentingen
Deutschland

Tel. +49 (0) 7371 95 93-0
Fax +49 (0) 7371 95 93-20
www.kettmaker.com
info@kettmaker.com