

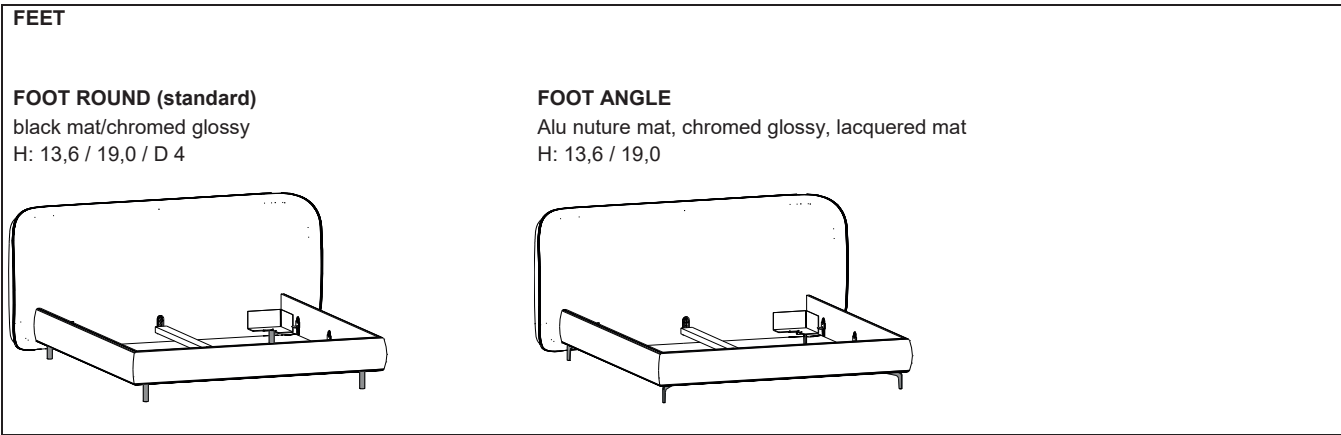
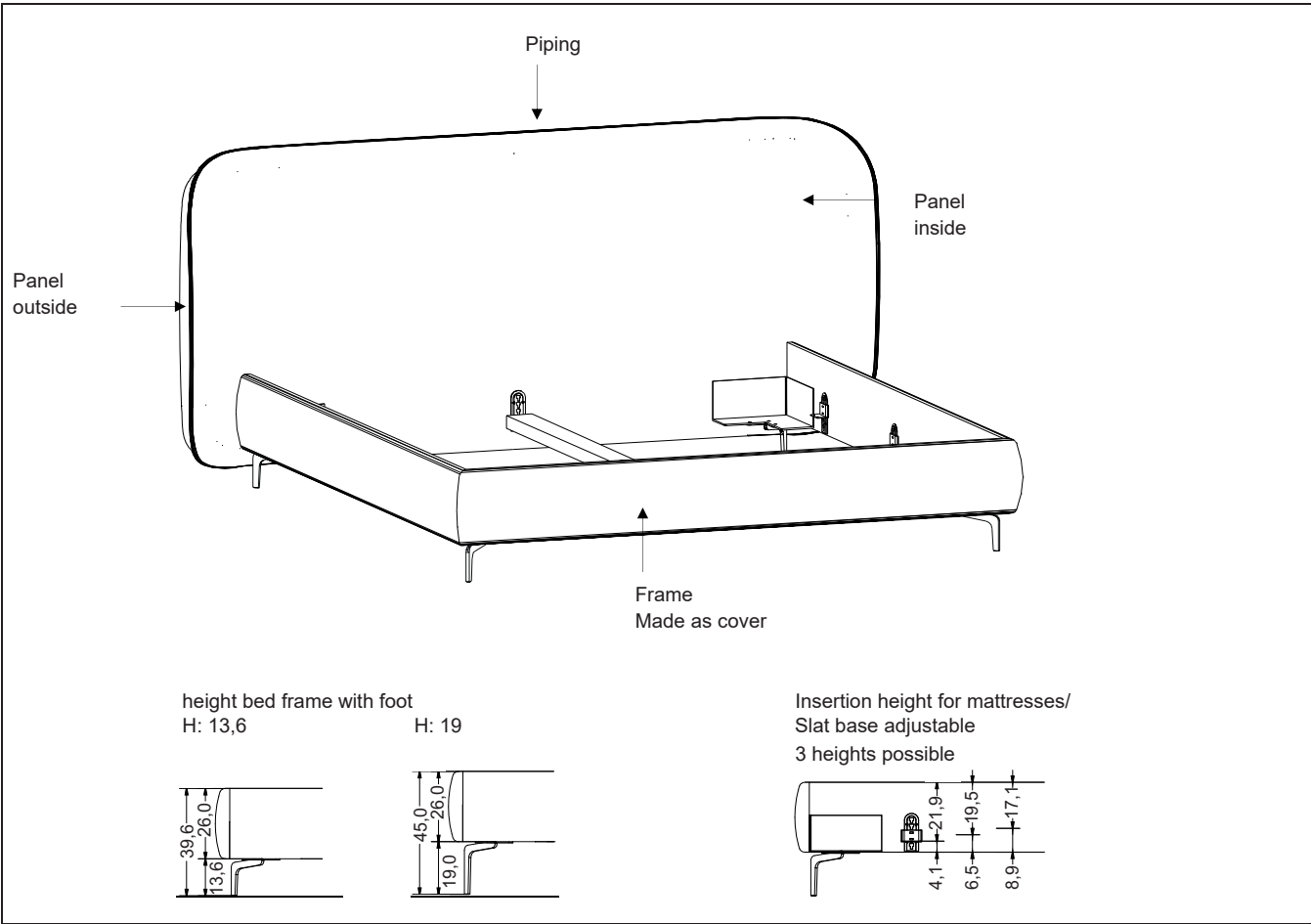
PRODUCT INFORMATION

08-2025

BEDS

LUNO

UPHOLSTERED BED LUNO
 can be used as room divider
 All upholstery surfaces -panel inside and outside, frame and piping can be individually designed.




PLANNING INFORMATION:


<p>TOTAL WIDTH:</p> <ul style="list-style-type: none"> mattress W 140 = 185 mattress W 160 = 205 mattress B 180 = 225 mattress B 200 = 245 	<p>TOTAL DEPTH:</p> <ul style="list-style-type: none"> mattress length 200 = 220 mattress length 210 = 230 mattress length 220 = 240 	<p>TOTAL HEIGHT: with foot H 13 = 112,0 with foot H 19 = 117,4</p>
---	--	--

NIGHT STANDS
 in roomdivider finish
 mitre joint carcass, front edge beveled to the back
 W: 40/50/60
 D: 35

H: 19,2

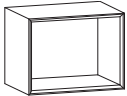


open

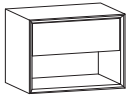


1 drawer

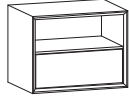
H: 38,4



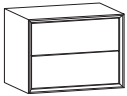
open



1 drawer top

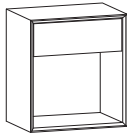


1 drawer bottom




2 drawers

H: 57,6



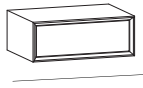


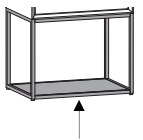


1 drawer top



2 drawers bottom

FEET

<p>FOOT ROUND (standard) black H: 2,0</p> 	<p>FOOT ANGLE H: 13,6 / 19,0</p> 	<p>WALL-MOUNTED</p> 
<p>BASE FRAME H: 19,9</p> 	<p>BASE FRAME H: 39,1</p> 	<p>BASE FRAME optionally with bottom shelf</p> 

PLANNING INFORMATION:

Recommended retail price
Delivery/assembly excluded
All previous lists are no longer
valid.

Development and design
Kettmaker-Team
All models and names registered.
All rights by Wolfgang Kettmaker.
Kettmaker reserves the right to make subsequent
changes, in particular if they serve the progress
or mean an improvement.
Errors excepted.
Date 30.05.2025

Kettmaker GmbH & Co. KG
Manufaktur für Möbel
Bussenstraße 30
88525 Dürmentingen
Deutschland